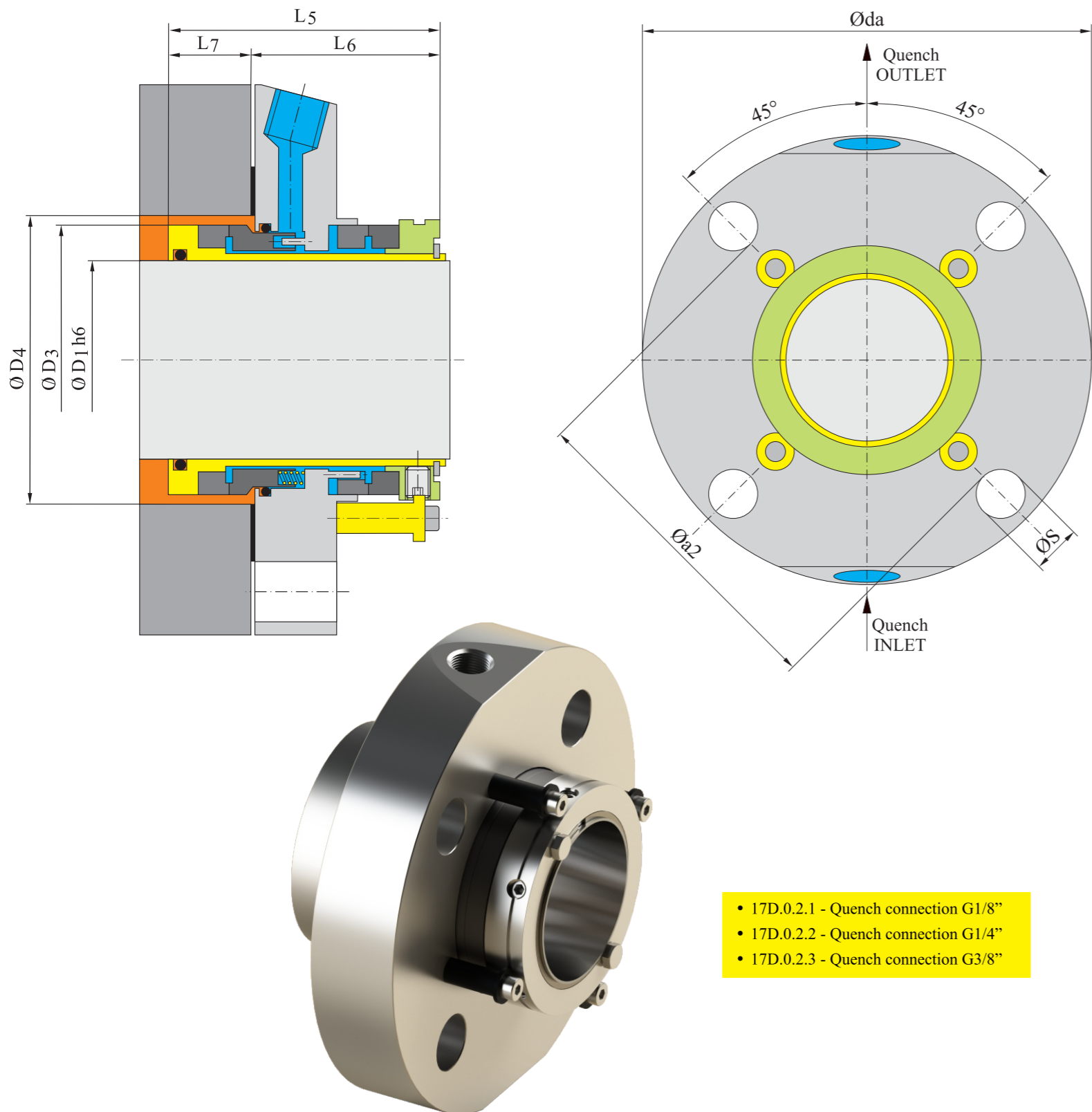




# CARTSEAL 17D.0.2

Double cartridge with machined cover



- 17D.0.2.1 - Quench connection G1/8"
- 17D.0.2.2 - Quench connection G1/4"
- 17D.0.2.3 - Quench connection G3/8"

# CARTSEAL 17D

Double cartridge seal

DIMENSION TABLE (mm)

D1	D3	D4 min.	D4 max.	L5	L6	L7	Øa2	Øda	E	ØS
25	41,9	44,0	51,0	75,4	52,8	22,6	62,0	105,0	16,0	13,2
28	44,4	47,0	52,0	75,4	52,8	22,6	61,0	105,0	16,0	13,2
30	47,0	49,0	56,0	75,4	52,8	22,6	67,0	105,0	16,0	13,2
32	49,7	51,0	57,0	75,4	52,8	22,6	70,0	110,0	16,0	13,2
33	49,7	51,0	57,0	75,4	52,8	22,6	70,0	110,0	16,0	13,2
35	54,5	56,5	61,5	76,8	53,4	23,4	72,0	113,0	16,0	13,2
38	56,0	57,0	66,0	77,6	54,0	23,6	75,0	123,0	16,0	13,2
40	58,0	59,0	68,0	79,6	54,3	25,3	77,0	123,0	16,0	14,2
42	60,5	61,5	69,5	79,6	54,3	25,3	80,0	133,0	16,0	14,2
43	60,5	61,5	70,5	79,6	54,3	25,3	80,0	133,0	16,0	14,2
45	62,5	64,0	73,0	79,6	54,3	25,3	82,0	138,0	16,0	14,2
48	67,0	68,0	75,0	80,5	54,0	26,5	85,0	138,0	16,0	14,2
50	68,5	69,0	78,0	80,5	54,0	26,5	87,0	148,0	16,0	14,2
53	72,0	73,0	87,0	82,5	54,0	28,5	97,0	148,0	18,0	18,0
55	74,0	75,0	83,0	82,5	54,0	28,5	92,0	148,0	18,0	18,0
60	78,9	80,5	91,0	82,5	54,0	28,5	102,0	157,0	18,0	18,0
65	84,8	85,7	98,5	82,5	54,0	28,5	109,0	163,0	18,0	18,0
70	93,0	95,0	108,0	82,6	54,0	28,6	118,0	178,0	18,0	18,0
75	98,0	101,6	118,0	82,6	54,0	28,6	129,0	190,0	18,0	18,0
80	104,0	108,0	124,0	87,8	59,3	28,5	135,0	195,0	18,0	18,0
85	109,0	111,1	128,0	87,8	59,3	28,5	139,0	198,0	22,0	22,0
90	114,0	117,5	135,0	87,8	59,3	28,5	145,0	205,0	22,0	22,0
95	119,0	120,7	138,0	87,8	59,3	28,5	148,0	208,0	22,0	22,0
100	124,0	127,0	144,0	87,9	57,4	28,5	154,0	218,0	22,0	22,0

In the table above are dimensions of the most commonly used cartridge mechanical seals. „Vrska Press“ company also produce cartridge mechanical seals for the shafts above ø100mm. That dimensions are not indicated in the table above. For precise informations about those cartridges contact „Vrska Press“ company or Your supplier.