



YOUR INNOVATION PARTNER

Type UBP

For Steam In The Paper Industry



www.vrskapress.eu





Ordering instructions: 125 UBP S 2 1 Q 1250

Nominal Diameter:
From ND 125 to ND 150

Type:
- Specifies rotary joints design
- Rotary joints types are specified further in design guide

Design:
S - Standard production
N - Not Standard, produced at the customers request

Flow Passage:
1 - Monoflow
2 - Duoflow (stationary syphon)

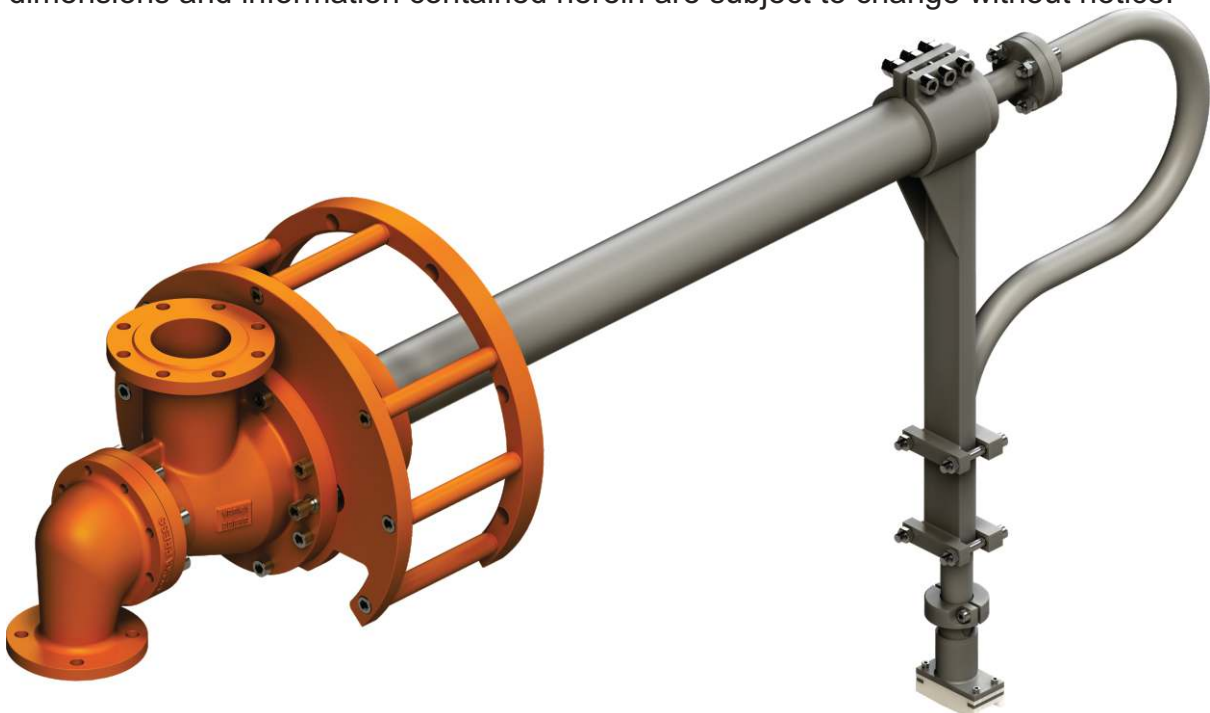
Lubrication:
1 - No (without grease nipple)

Shaft Connection:
P - flange
Q - special connection

Series:
- Specifies rotary joints design, connecting elements and material
- Rotary joints series are specified further in design guide

The information and specifications presented in this catalogue are accurate, but are supplied for information purpose only. Nothing contained herein is to be construed as a warranty or guarantee. If the customer - user does not consult with company, then he assumes the ultimate responsibility for the proper selection, installation, operation and maintenance of "Vrška Press" products.

Because Vrška Press company is continually improving and upgrading its product design, the specifications, dimensions and information contained herein are subject to change without notice.



Type UBP Rotary Joint



Recommended applications:

- General purpose
- Steam and Steam condensate (up to 235°)

Product description:

Rotary joint type UBP with spherical carbon sealing ring has no bearings and it is available in monoflow and duoflow version. In monoflow version it can be single inlet, or single outlet with syphon pipe. High performance rotary joint design for transfer of steam in paper industry. Through years of experience, it has been modified, redesigned and brought to perfection. New sealing technology, robust sealing ring as well as advanced materials enable reliability and extended life time.

Connection to the machine by means of:

- Spider cage support (bracket)
- Directly bolted on to the shaft - on customer request

For different sizes and connections (inlet & outlet) as well as sizes of stationary syphon pipe, please contact Vrška Press company or your local representative.

Operating data

ND	Size	Medium			
		Steam			
		Max. Temperature	Max. Pressure	Max. Speed	Version*
ND 125	3 1/2"	235°C	16 bar	500 rpm	Duoflow
ND 150	4"	235°C	16 bar	500 rpm	Duoflow
ND 125	3 1/2"	235°C	16 bar	500 rpm	Monoflow
ND 150	4"	235°C	16 bar	500 rpm	Monoflow

Features:

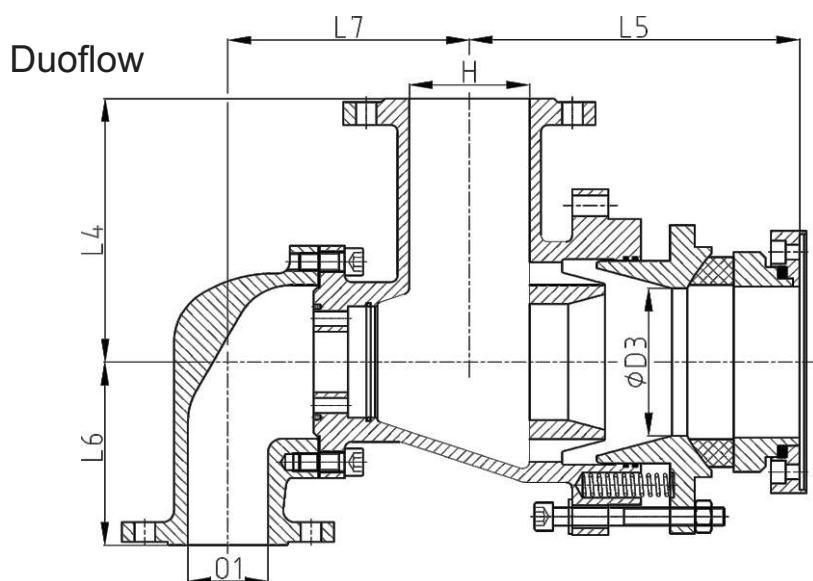
- Monoflow & duoflow design
- Spherical carbon graphite sealing ring
- Spider cage-supported rotary joint
- Long service life
- Easy and quick repair
- Robust, graphite sphere and ssic face
- Planed maintenance

Materials:

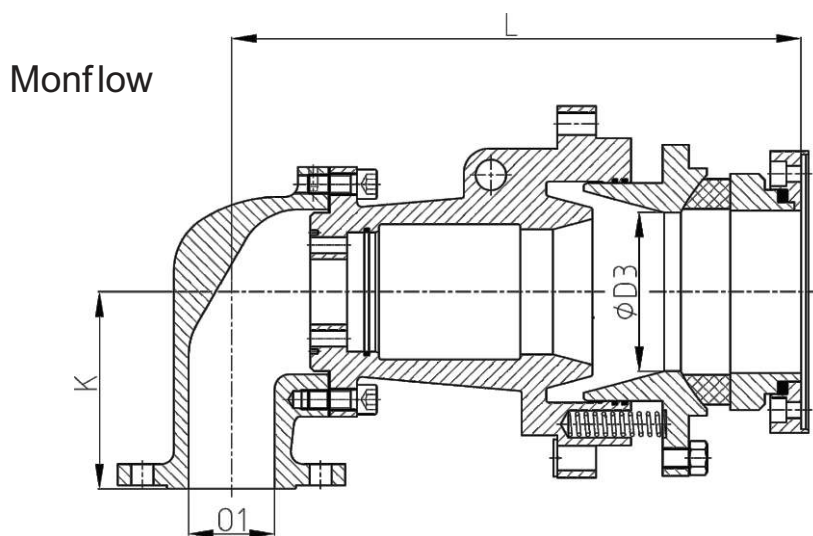
- Seal faces combination: SS steel, Carbon, SSiC
- Secondary seal: Graphoil, Fluoro elastomer
- Rotor: SSiC or Special stainless steel
- Housing: described in "series description"

Avoid combination of maximum values. Medium plays important role to determine limiting factors, therefore we kindly ask our customers to contact our company before ordering. Higher values on request.

TYPE UBP Series



ND	Size	H	O1	ØD3	L4	L5	L6	L7	Type
125	3 1/2"	DN 80	DN 50 / DN 40	129	200	275	160	200	Duoflow with syphon system
150	4"	DN 100	DN 65 / DN 50	129	230	285	160	200	Duoflow with syphon system



ND	Size	O1	ØD3	L	K	Type
125	3 1/2"	DN 80	129	463	160	Monoflow steam inlet
125	3 1/2"	DN 65	129	463	160	Monoflow with Syphon system for steam outlet
150	4"	DN 100	129	481	175	Monoflow steam inlet
150	4"	DN 80	129	463	160	Monoflow with Sphon system for steam outlet

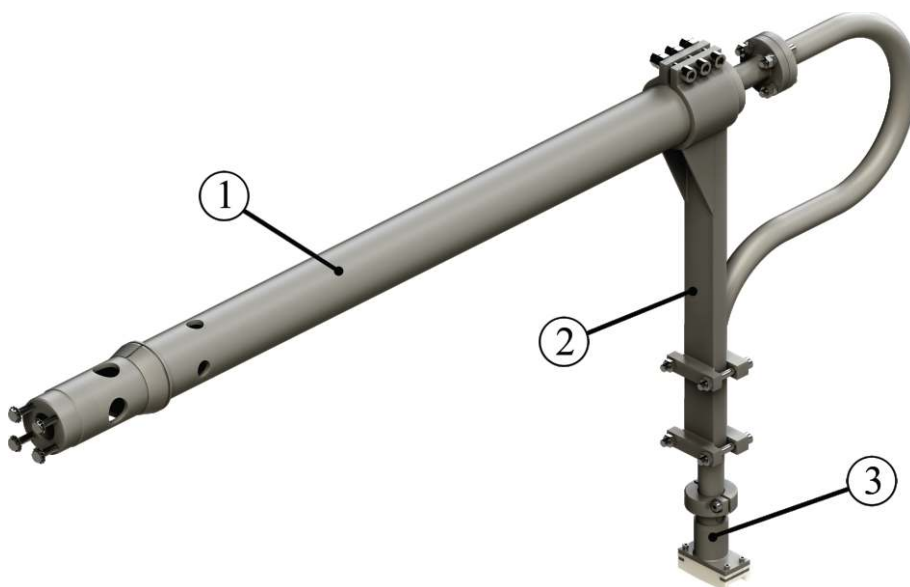
Cantilever Stationary Syphon



New demand for high-speed in paper machine dryers requires high differential steam pressure for Rotary syphons, to remove condensate from drums. Stationary syphons are better suited for high speed applications, therefore it is no need for high differential pressure. This lower differential pressure reduce blow-through steam, the dryers can operate much more efficiently.

Faster speeds create mechanical problems for stationary syphons. They are mounted and supported from the outside of the cylinder. It means that stationary syphons are fixed, therefore they must withstand the impact force of the condensate at all time the drum is rotating. Syphons with low stiffness will vibrate and with time will fail.

Vska Press stationary syphon is designed to provide both improved operating efficiency and mechanical reliability.



The vertical support features axial adjustment to allow for fine-tuning the location of syphon shoe to ensure the correct location inside the dryer. The horizontal support tube can easily slide into the journal bore and be locked into position. Four fasteners secure the support tube in place.

Designed for difficult applications, the Vrska Press UBP rotary joint is designed specifically for the cantilever stationary syphon. This steam joint rigidly supports the horizontal tube (1) that passes through the dryer journal. The tube is held in the rotary joint with a taper lock. The syphon is made from two parts for easier transport and handling, it is assembled inside the dryer and locked to the horizontal support tube with a vertical support bracket (2).

Rigidity is provided by the horizontal support tube, this resist the impact and vibrations on the syphon shoe.

This rigidity is further enhanced by the vertical support (2). This stiffens and strengthens the vertical syphon pipe, and it minimizes the vibration and deflections.

Syphon shoe (3) clearance can be maintained if the vibration is decreased, this results in increased consistent operation and drying capacity. The syphon shoe has a PTFE tip to reduce potential for dryer damage. The double cut clamp with two bolts are ensuring stiffness for long-term reliable performance.

This stationary syphon system is a rigid design, it can be used on a wide range applications at a low differential pressures with no speed limitations. This makes it suitable from low speeds to highest machine speeds in the paper industry.

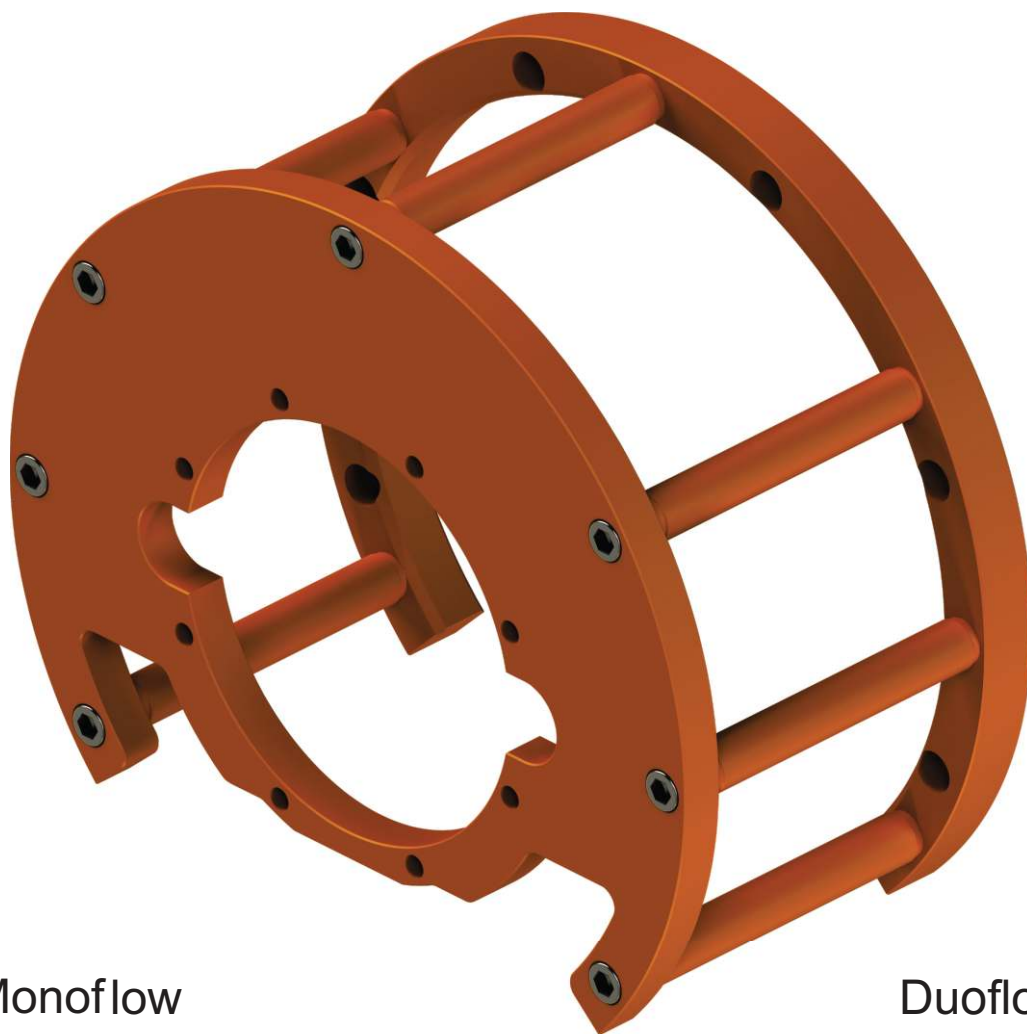
Vrska Press-es exclusive approach for peak operating effectiveness, is that the dryer drainage system must be properly sized and matched with the syphon size and type. Selecting and sizing require critical review of operating conditions (e.g. differential pressure, operating pressure, speed, and condensing rates). Changes in paper grades can alter the dryer efficiency and consequently its performance.

Using Vrska Press decades of experience, we can evaluate the performance and efficiency of alternative syphon systems, and design a system to meet the requirements of even the most demanding applications.

Spider Bracket

Universal mounting solution for large bearingless rotary joints

Our specially designed spider bracket mounting system, is made to fit the machine on witch an UBP rotary joint will be mounted. This system ensures that all UBP Rotary Joint can be mounted on a machine with an UBP spider bracket. It's a robust machined steel cage that is made to withstand the weight, forces and vibration from the machine. These brackets are made specially for the machine, on witch are mounted permanently.



Monoflow

Duoflow



Type UBP

