

Type TNB

For Thermal Oil & Steam



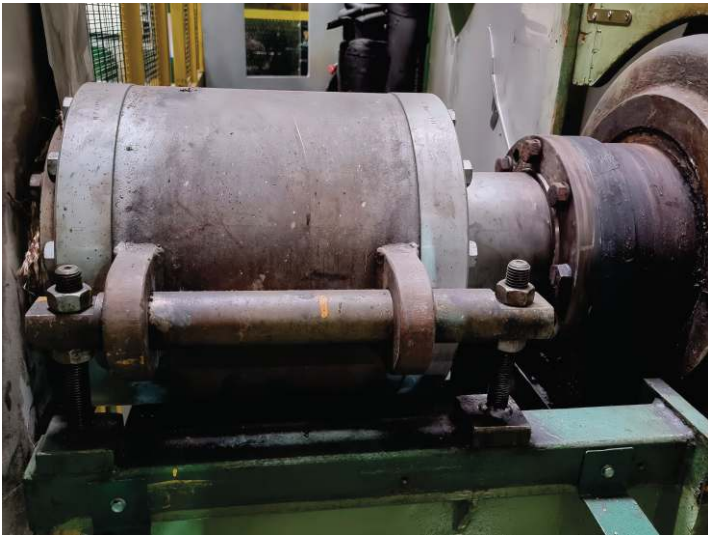
YOUR INOVATION PARTNER

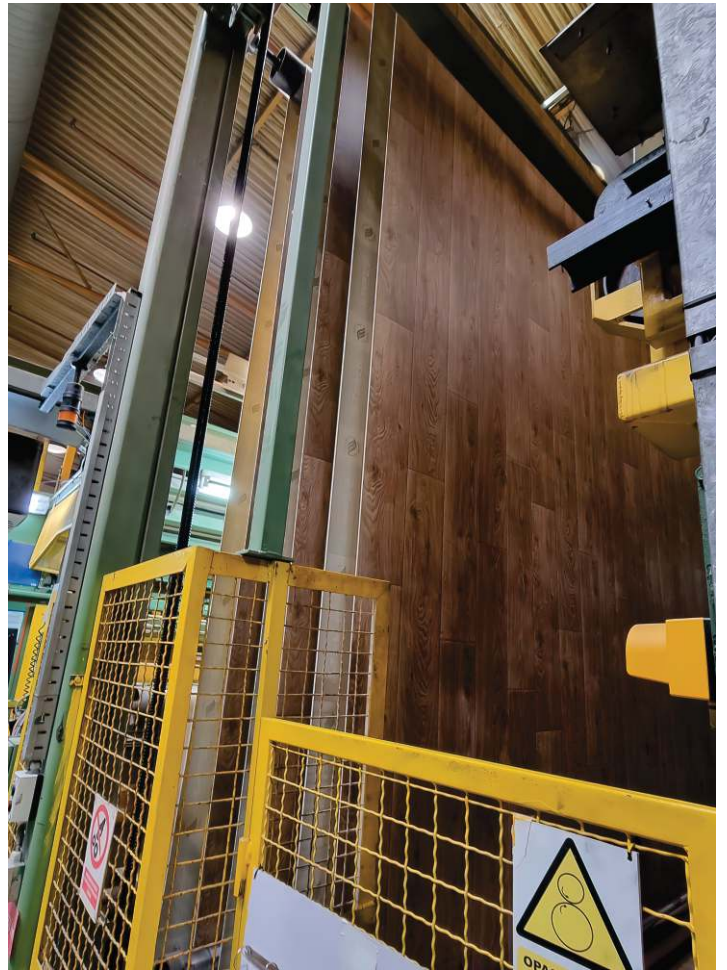


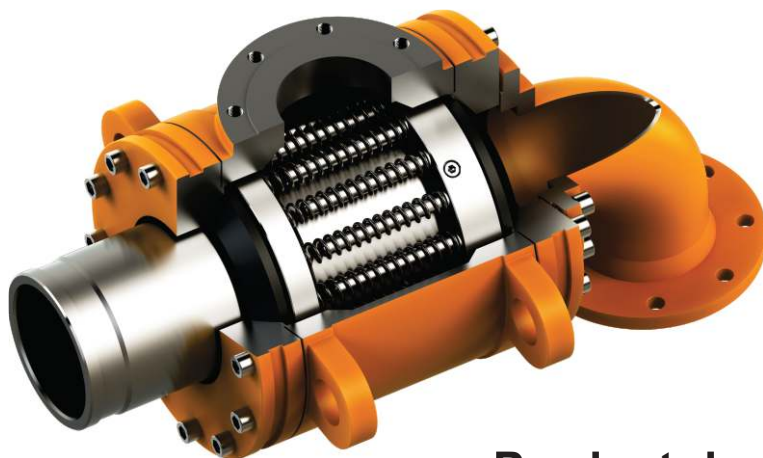
Rotary Joints
CATALOGUE



www.vrskapress.eu







Recommended applications:

- Hot oil, thermal oil 300°C
- Steam and Steam condensate (up to 235°C)
- For low rpm.

Product description:

Rotary joint type TNB with double spherical carbon sealing rings has no bearings and it is available in monoflow and duoflow version. In monoflow version it can be single inlet, or single outlet. Low speed high flow rotary joint design for transfer of hot oil, steam and water. Through years of experience, it has been modified, redesigned and brought to perfection. New sealing technology, robust sealing ring as well as advanced materials enable reliability and extended life time.

Connection to the machine by means of:

- With K-flange.

For different sizes and connections (inlet & outlet) as well as sizes of stationary syphon pipe, please contact Vrška Press company or your local representative.

Operating data

ND	Size	Medium						Version
		Steam			Hot oil			
		Max.Temp.	Max. Pres.	Max. RPM	Max.Temp.	Max. Pres.	Max. RPM	
ND 125	125	235°C	15 bar	60 rpm	300°C	10 bar	60 rpm	Duoflow
ND 150	150	235°C	15 bar	60 rpm	300°C	10 bar	60 rpm	Duoflow
ND 125	125	235°C	15 bar	60 rpm	300°C	10 bar	60 rpm	Monoflow
ND 150	150	235°C	15 bar	60 rpm	300°C	10 bar	60 rpm	Monoflow

Features:

- Monoflow & duoflow design
- Spherical carbon graphite sealing ring
- Anti rotation supported rotary joint
- Long service life
- Easy and quick repair
- Robust, graphite sphere
- Maintenance free

Materials:

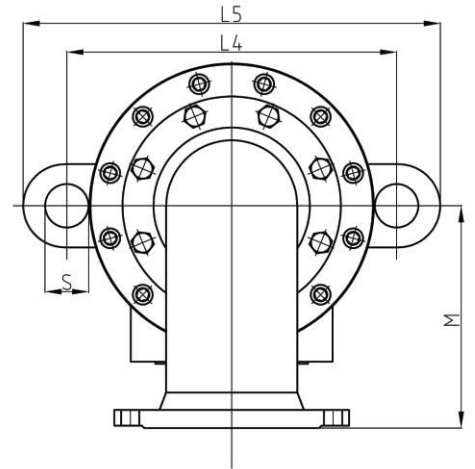
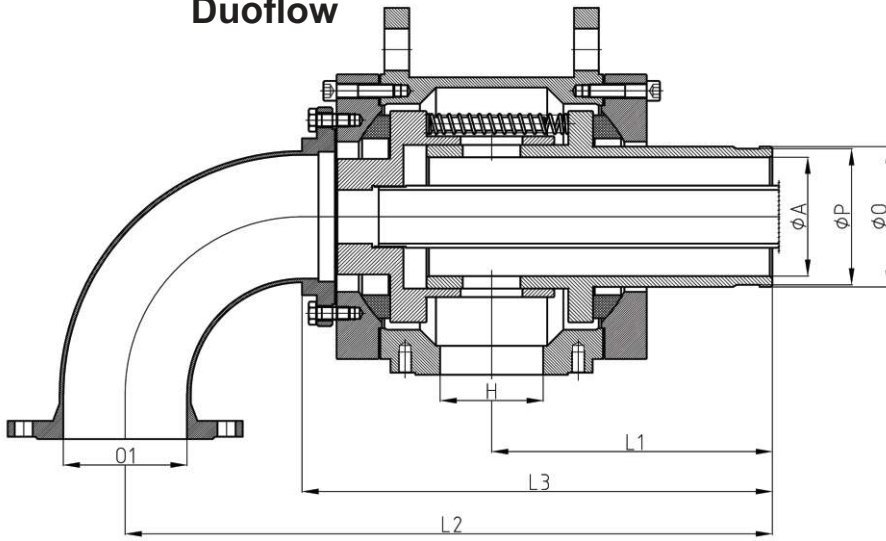
- Seal faces combination: Carbon, Cast iron
- Shaft: Stainless steel
- Inner parts: Stainless steel
- Housing: Cast Iron

Avoid combination of maximum values. Medium plays important role to determine limiting factors, therefore we kindly ask our customers to contact our company before ordering. Higher values on request.

Type TNB

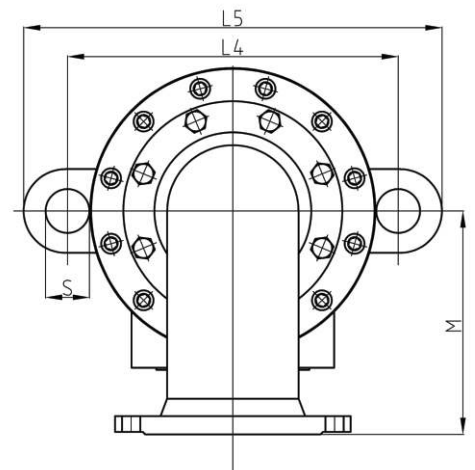
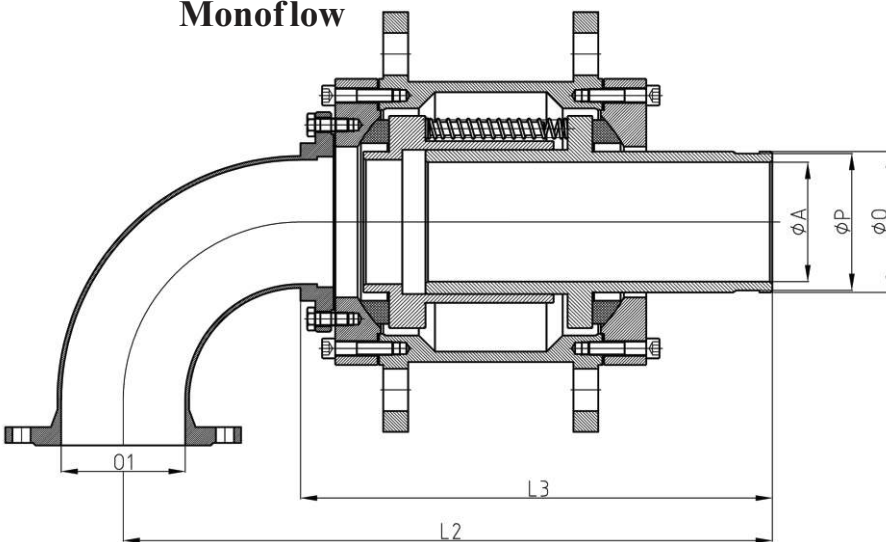


Duoflow



ND	ØA	ØO	ØP	H	O1	L1	L2	L3	L4	L5	M	S	Type
125	120	142	137	DN 100	DN 100/DN 50	340	710	570	400	506	230	Ø53	Duoflow
150	144	170	165	DN 125	DN 125/DN 65	340	785	570	400	506	270	Ø53	Duoflow

Monoflow



ND	ØA	ØO	ØP	O1	L2	L3	L4	L5	M	S	Type
125	120	142	137	DN 125	710	570	400	506	230	Ø53	Monoflow
150	144	170	165	DN 150	785	570	400	506	270	Ø53	Monoflow