



YOUR INNOVATION PARTNER

Swivel Joints

For hydraulic oil
hot and cold water & steam



Swivel Joints

Monoflow, with BSP or NPT thread connection



- **Swivels are suitable for easier working conditions.** They are produced with axial or radial (90°) inlet for maximum productivity in hydraulic or water applications.
- Maximum working temperature is 70°C.
- Suitable for low speed applications.
- Swivel has three construction types: with one bearing, with two bearings or without bearings.
- Advantages are:
 - small weight and length
 - easy to maintain
 - easy to repair and change spare parts
 - easy shaft rotating.
- Working pressure: 3 - 250 bar
- Swivel designation:

SWIVEL 1/4" 300 A

Sizes: 1/4" - 1 1/2"

Series:

- 100 - male: male thread (180°)
- 200 - male: female thread (180°)
- 300 - female: female thread (180°)
- 400 - male: female thread (90°)
- 500 - female: female thread (90°)
- 600 - A

Bearings:

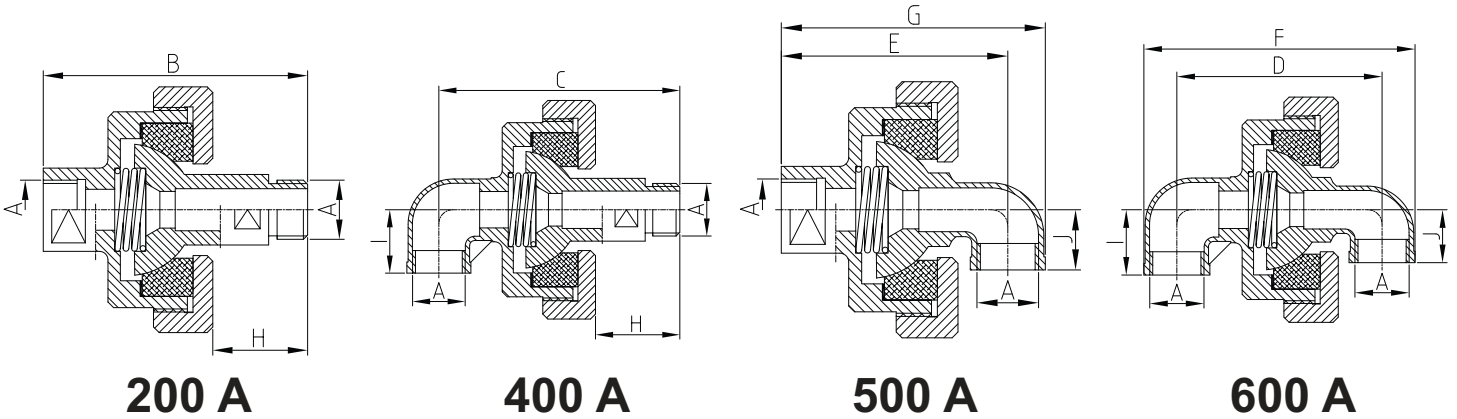
- A - without bearing
- B - with two bearings
- C - with one bearing



Self - Aligning Swivel Joints



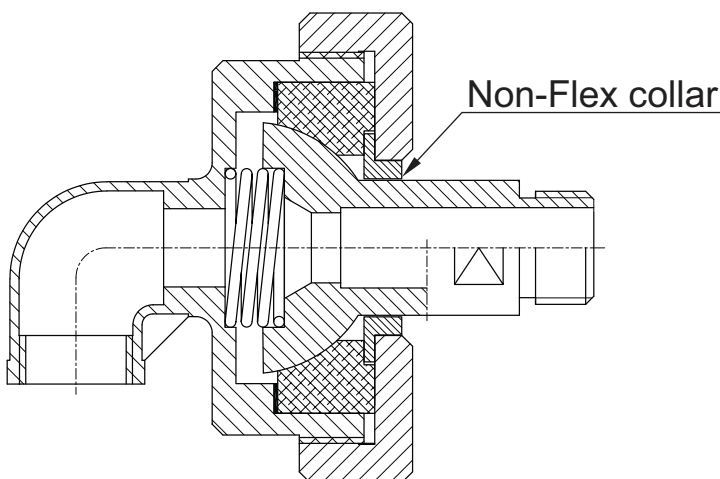
Spring-loaded, Self-Aligning Swivel Joints are designed to handle 360° rotating and 10° angular movement between a hose assembly and rigid component. They supply steam, hot oil, hot and cold water to rotating and swiveling machinery.



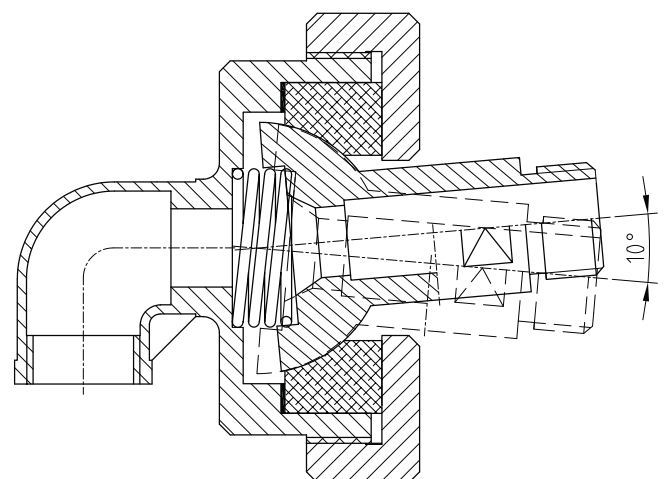
ND	Size	A	B	C	D	E	F	G	H	I	J
15	1/2"	1/2"	89	91	77	77	105	90	34	25	20
20	3/4"	3/4"	96	100	102	93	135	111	35	32	32
25	1"	1"	118	112	110	118	149	138	36	37	40
32	1 1/4"	1 1/4"	122	125	125	133	175	157	39	44	42
40	1 1/2"	1 1/2"	140	142	170	140	225	168	45	45	48



Non-Flex Swivel Joints with added split collar are designed to allow 360° rotation but eliminates the 10° angular movement. They are available in the same types, sizes and materials as standard swivels.



Non-Flex Swivel Joint



Standard Swivel Joint