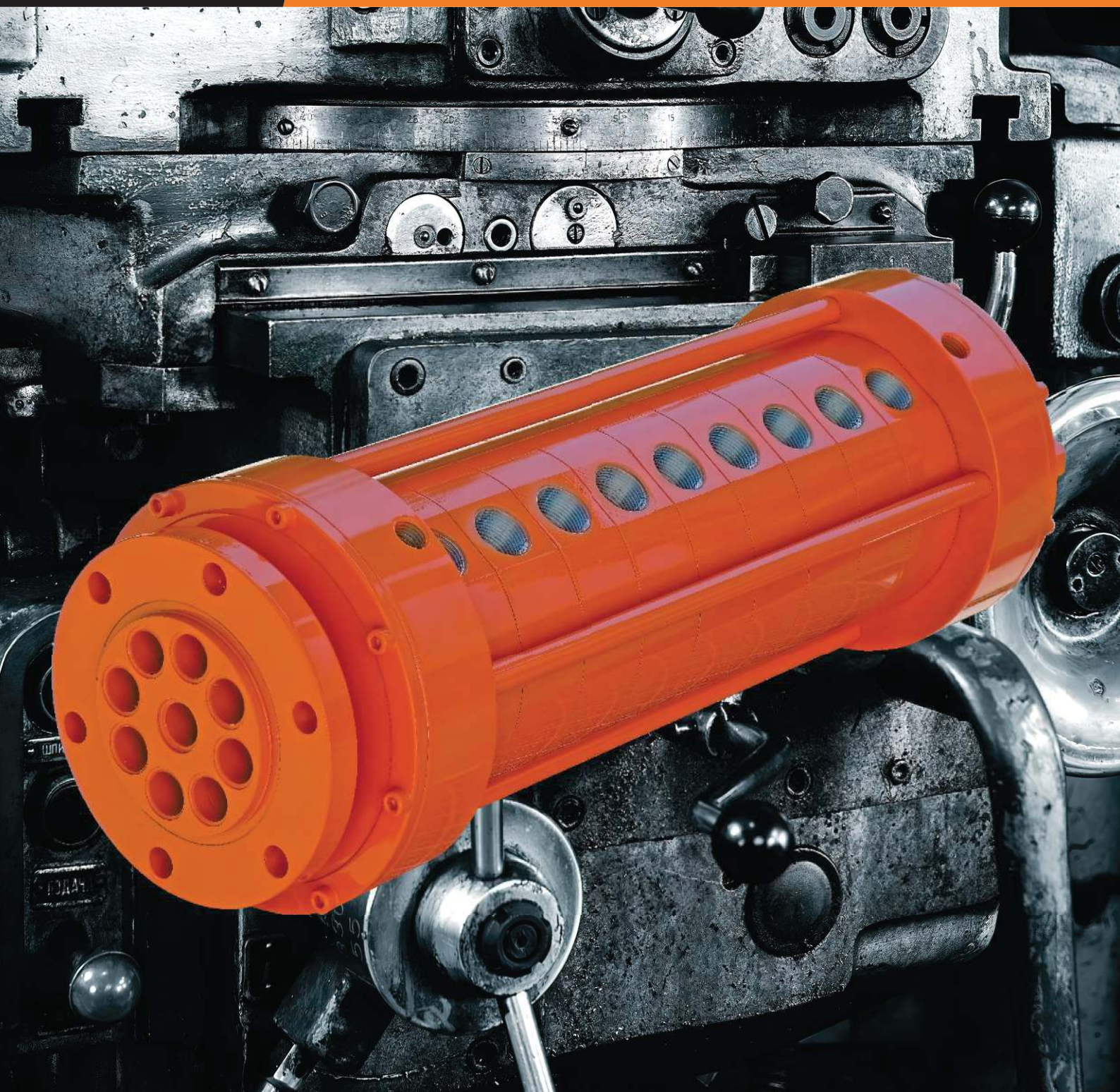




YOUR INNOVATION PARTNER

Rotary Joints Type ANG ANH & ANR

For Hydraulic oil & air

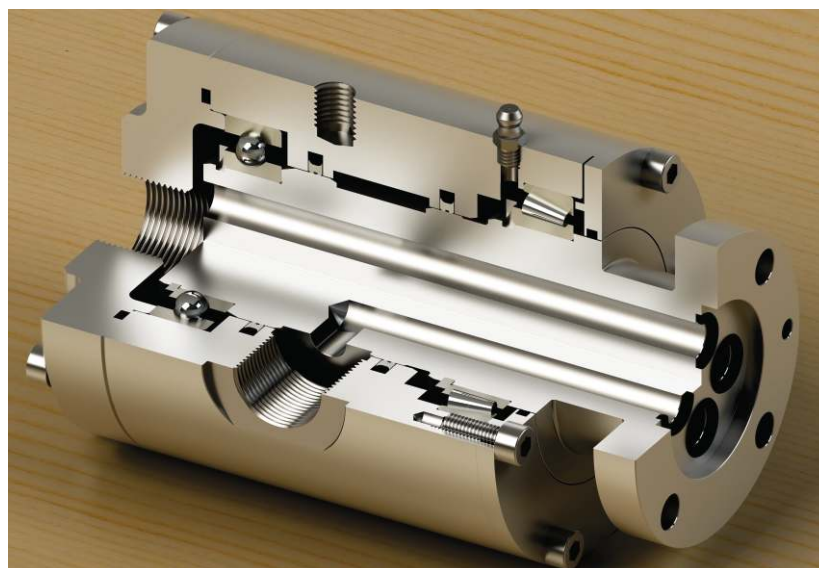


ANG, ANH and ANR series rotary joints are suitable for:

- Hydraulic Oil
- Air

Advantages are:

- small weight and length
- easy to maintain
- easy to repair and change spare parts
- easy shaft rotating.



- Housing made of stainless steel or other types of steel.
- Type ANR is with two ball bearings and easily accessible lubricator.
- Type ANG is with tapered an ball bearings and easily accessible lubricator.
- Type ANH is with bronze slide bearing and without lubricator.
- All types, ANR, ANH and ANG can have 2 to 8 ports (standard design).

Connection to machine by means of flange or BSP connection, all size of flange are available upon request. Connections of outlets are BSP thread. Number of rotary seals is equal to number of ports plus 1.

Working pressure for these types of rotary joints is up to 400 bar depending of working condition, model and rotary joint size.

ANH and ANR types of rotary joints have low speed rotation depending on diameter.

Design types ANH, ANR and ANG are suitable for harder working conditions, which is possible by means of special construction materials and technology production.

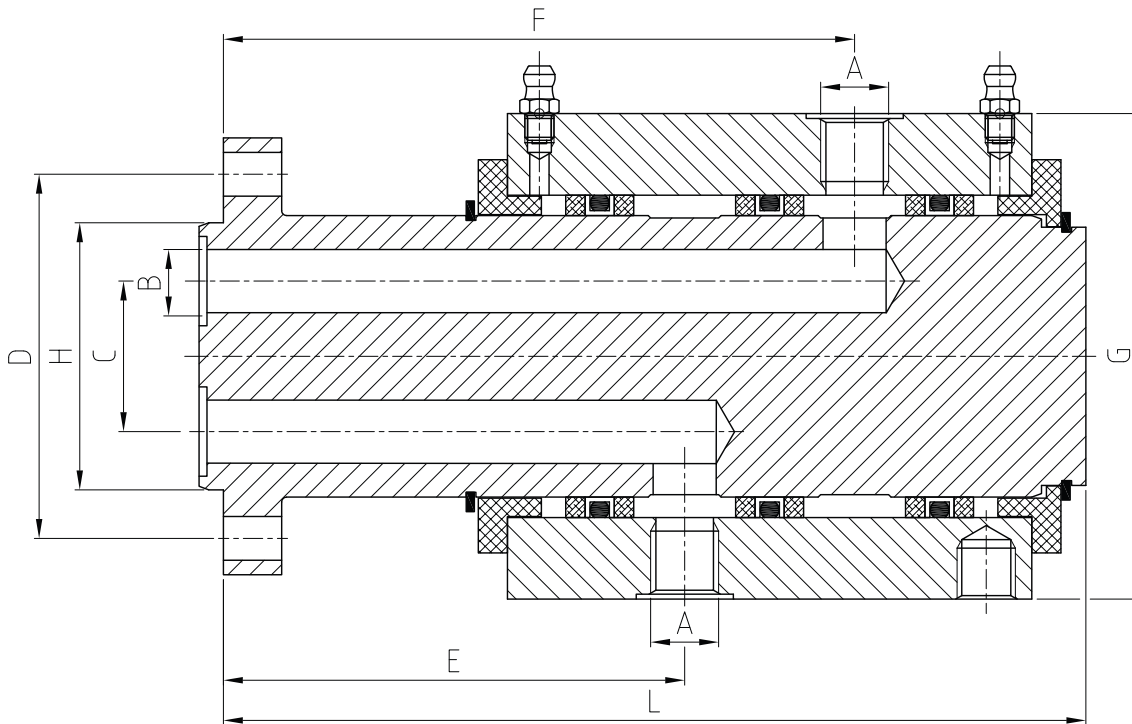
Series MF000 are made of stainless steel and they have superior corrosion resistance.

This types of rotary joints are suitable for hydraulic devices.

It is impossible to manufacture a universal product witch is suitable for all purposes, therefore we offer products in different designs and quality for different working conditions. Therefore we kindly ask our customers to contact our company before ordering, to enable us to recommend the optimal version of rotary joint for the working conditions at the customer's installation.

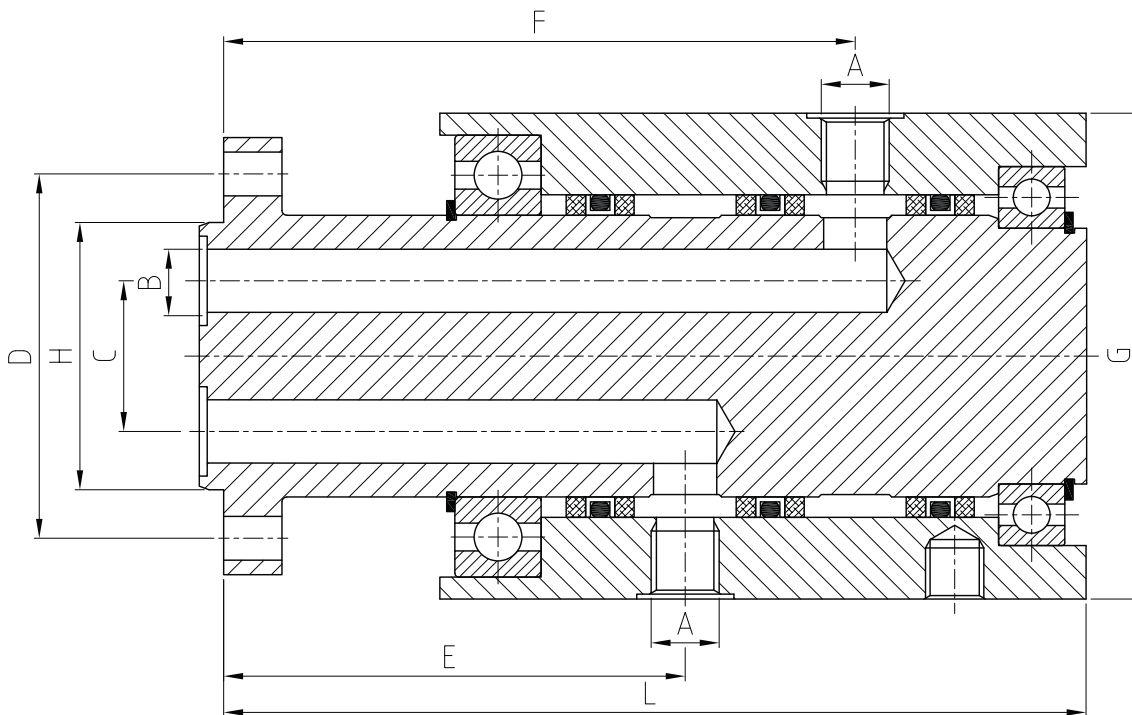
Type ANH, ANR

Multiflow, with flange connection



ANH
 Pressure: 400 bar
 Temperature: 80°C
 Low speed

ND	A	B	H	C	D	E	F	G	L
30	1/8"	6	30	16	48	65	88	59	126
55	1/2"	12	55	29	76	90	124	102	171

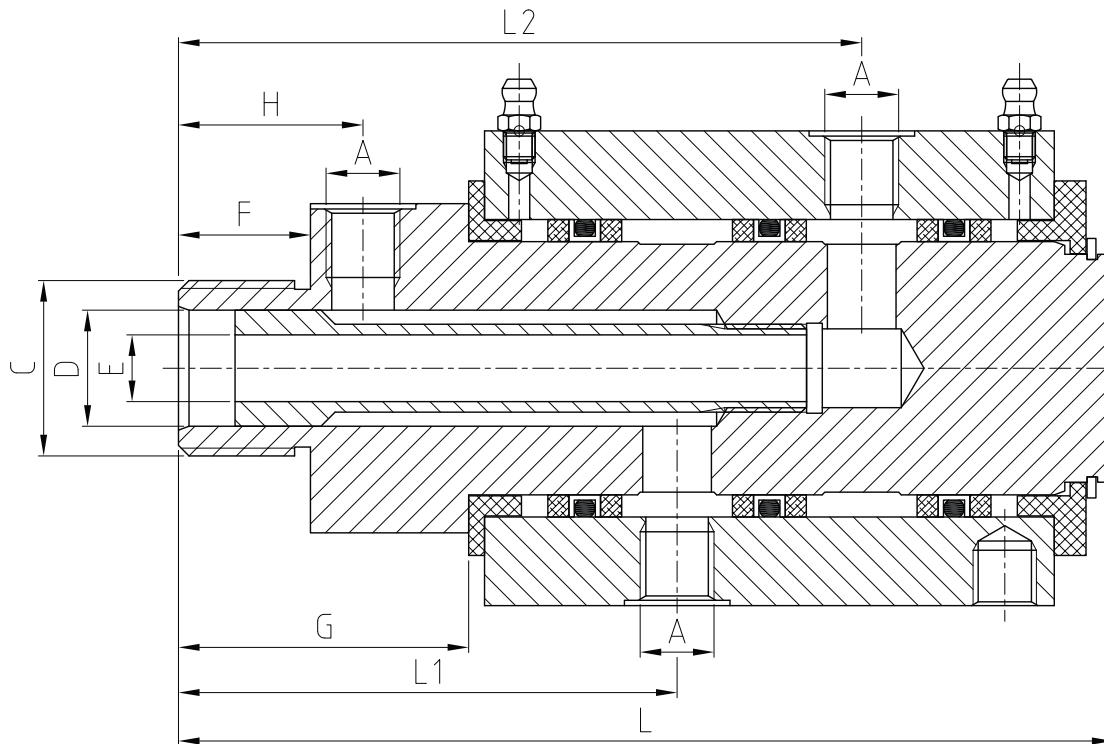


ANR
 Pressure: 400 bar
 Temperature: 80°C
 Low speed

ND	A	B	H	C	D	E	F	G	L
30	1/8"	6	30	16	48	82	106	73	150
55	1/2"	12	55	29	76	110	144	112	198

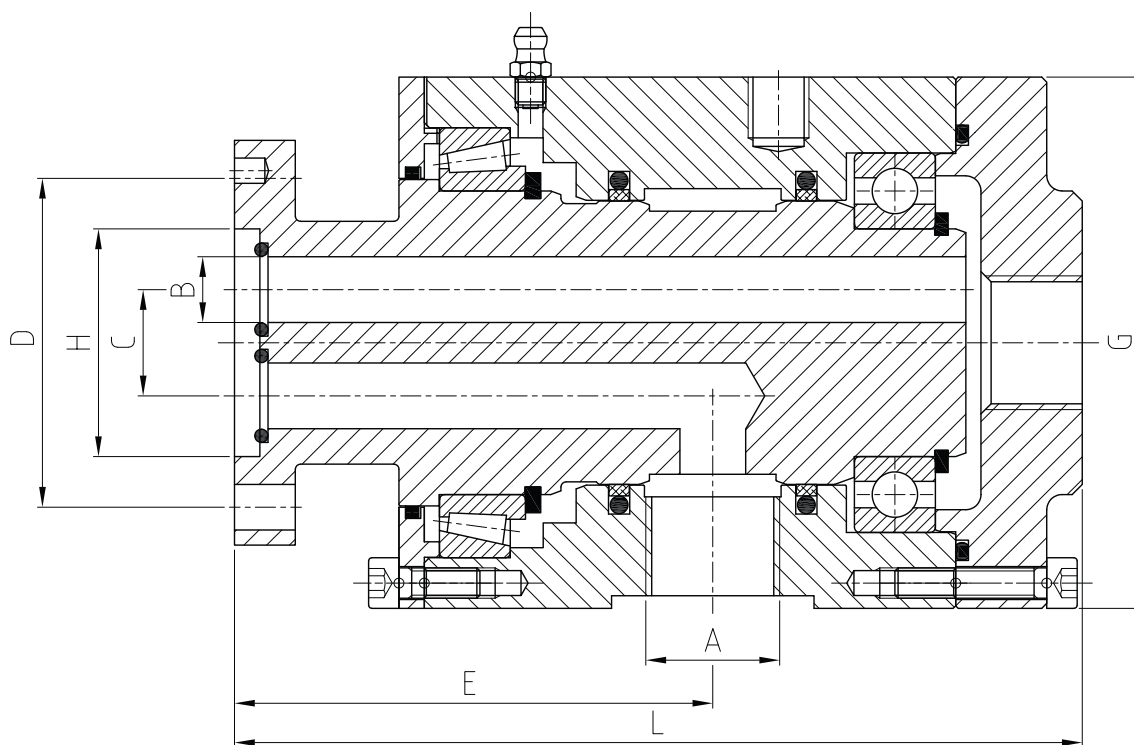
Type ANH, ANG

Multiflow, with flange and BSP connection



ANH
 Shaft BSP
 connection
 Pressure: 400 bar
 Temperature: 80°C
 Low speed

ND	A	B	C	D	E	F	G	H	L1	L2	L
30	1/8"	1/8"	3/4"	16	8	17	55	27	88	116	152
40	3/8"	3/8"	1"	22	12	20	63	34	94	124	160
55	1/2"	1/2"	1 1/4"	30	16	28	68	44	106	140	188
70	3/4"	3/4"	1 1/2"	40	20	30	75	48	120	154	202



ANG
 Pressure: 400 bar
 Temperature: 80°C
 Low speed

ND	A	B	H	C	D	E	F	G	L
60	G 3/4"	13	45	21	65	94.5	x	105	167.7