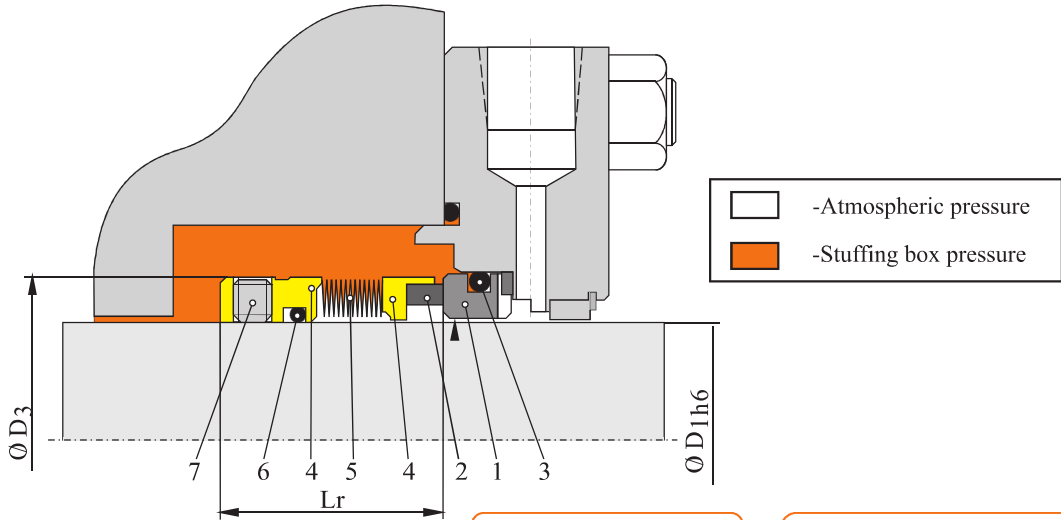


VD11

Single, Inner, Metal bellows mechanical seal
Independent of the shaft rotating direction



Welded metal bellows

LIMITING FACTORS

p_1 = from vacuum to 69 bar
 t = -75 to 260°C

LIST OF ELEMENTS

1. Stationary seat
2. Rotary seal ring
3. Stationary seat Secondary seal
4. Housing
5. Metal bellows
6. Secondary seal
7. Fixing screw

DIMENSION TABLE (metric)

D1	Lr	D3
18	27,5	32
20	27,5	33,3
22	27,5	36
24	30	38,1
25	30	39
28	32,5	42
30	32,5	44
32	32,5	46
33	32,5	47
35	32,5	49,2
38	34	52,4
40	34	55,6
43	34	58,7
45	34	58,7
48	34	60,9
50	34,5	65,1
53	34,5	68,3
55	34,5	71
60	39,5	74,6
65	39,5	84,1
70	45	87,3
75	45	95,3
80	44,5	98,4
85	44,5	104,8
90	49,5	108
95	49,5	114,3
100	49,5	120,7
105	48,3	131,7
110	48,3	138,1
115	48,3	144,5
120	48,3	144,5
125	48,3	150,8
130	48,3	157,8
140	48,3	170,5
150	48,3	176,9

DIMENSION TABLE (inch)

Seal Dash Number	D1	Lr	D3
12	0,750	1,250	1,312
14	0,875	1,250	1,437
15	0,937	1,250	1,500
16	1,000	1,250	1,562
18	1,125	1,250	1,687
20	1,250	1,312	1,812
22	1,375	1,437	1,937
24	1,500	1,437	2,062
26	1,625	1,437	2,187
28	1,750	1,437	2,312
30	1,875	1,500	2,437
32	2,000	1,500	2,562
34	2,125	1,500	2,687
36	2,250	1,562	2,812
38	2,375	1,562	2,937
40	2,500	1,562	3,187
42	2,625	1,625	3,312
44	2,750	1,625	3,437
46	2,875	1,687	3,625
48	3,000	1,687	3,750
50	3,125	1,750	3,875
52	3,250	1,750	4,000
54	3,375	1,750	4,125
56	3,500	1,875	4,250
58	3,625	1,875	4,375
60	3,750	1,875	4,500
62	3,875	1,875	4,625
64	4,000	1,875	4,750
68	4,250	1,903	5,187
72	4,500	1,903	5,438
76	4,750	1,903	5,688
80	5,000	1,903	5,938
84	5,250	1,903	6,213
88	5,500	1,903	6,463
92	5,750	1,903	6,714
96	6,000	1,903	6,964
104	6,500	1,903	7,470
112	7,000	1,903	7,971



Single ply



Double ply