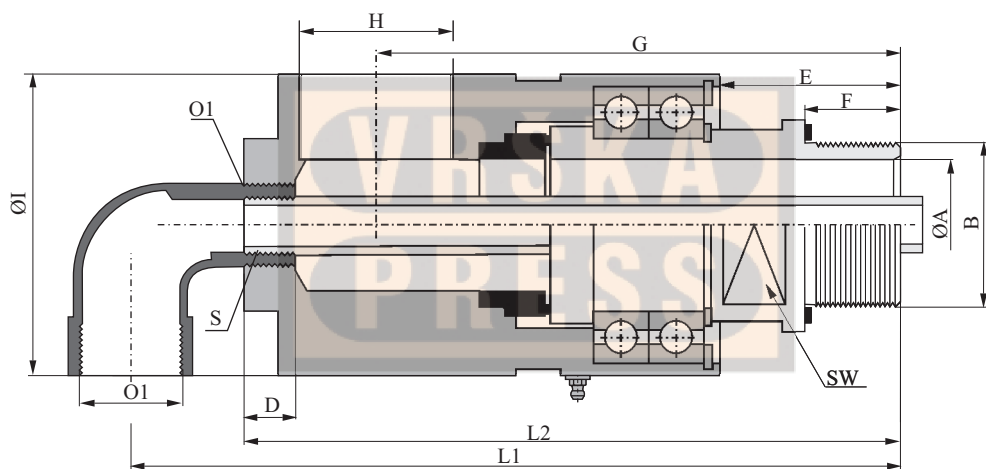
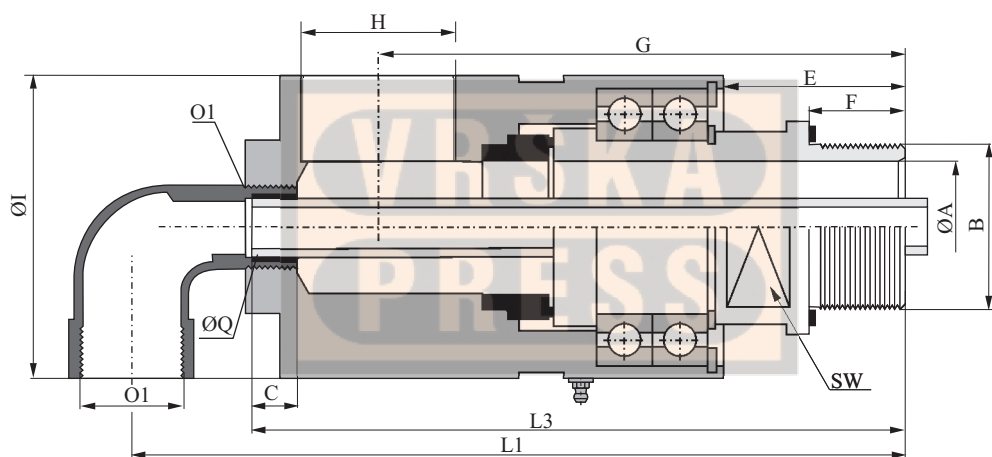
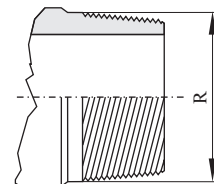


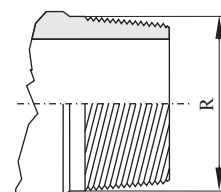
# Duoflow, Stationary and rotary syphon with BSP or NPT thread connection



Stationary Siphon



Rotary Siphon

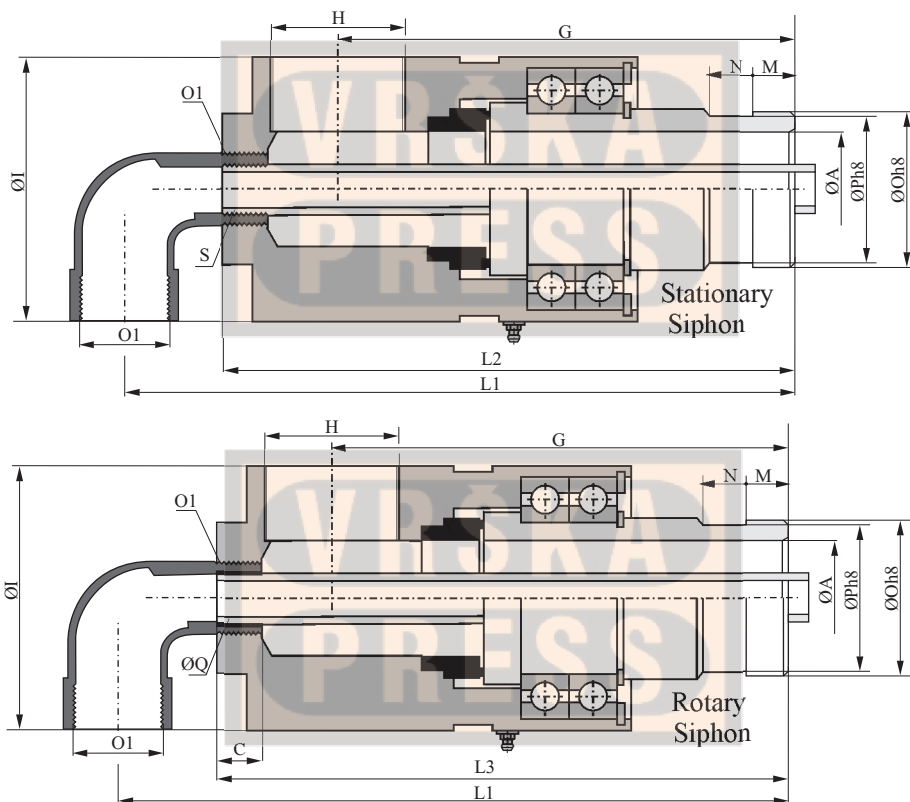


ND	10(3/8")	15(1/2")	20(3/4")	25(1")	32(1 1/4")	40(1 1/2")
ØA	10	13	20	25	32	40
B(BSP)	3/8"	1/2"	3/4"	1"	1 1/4"	1 1/2"
R(NPT)	3/8"	1/2"	3/4"	1"	1 1/4"	1 1/2"
H	3/8"	1/2"	3/4"	1"	1 1/4"	1 1/2"
O1(NPT)	1/4"	3/8"	1/2"	1/2"	3/4"	1"
S	M8	1/8"	1/4"	3/8"	1/2"	3/4"
C	10	10	10	13.5	14	14
E	27	27	31	39	39	47
D	11	11	12	15	16	16
F	13	13	15	19	19	23
G	99	99	105	123.5	134	144
ØI	54	54	64	69	84	87.5
L1	133	138	152	176	192	210
L2	118	118	127	151	167	180
L3	117	117	125	150	165	178
ØQ	5.8	9.8	12.8	15.8	21.8	25.8
SW	17	21	25	30	41	46



# Type RBM / RBMX / RBMA / ZBMA / ZBMX 0050, 0052 SERIES

Duoflow, Stationary and rotary syphon  
with K flange connection



ND	10(3/8")	15(1/2")	20(3/4")	25(1")	32(1 1/4")	40(1 1/2")
$\varnothing A$	10	13	20	25	32	40
H	3/8"	1/2"	3/4"	1"	1 1/4"	1 1/2"
$O1(NPT)$	1/4"	3/8"	1/2"	1/2"	3/4"	1"
S	M8	1/8"	1/4"	3/8"	1/2"	3/4"
N	11	12	13	13	13	16
M	6	6	8	8	8	10
G	100	102	108	123.5	134	144
$\varnothing Oh8$	18	24	30	35	45	50
$\varnothing Ph8$	17	22	28	33	43	48
D	11	11	12	15	16	16
$\varnothing I$	54	54	64	69	84	87.5
C	10	10	10	13.5	14	14
L1	134	141	155	176	192	205
L2/L3	118/117	121/120	130/128	151/149	167/165	175/173
$\varnothing Q$	5.8	9.8	12.8	15.8	21.8	25.8

## DESIGN TYPE I

## DESIGN TYPE K

ND	15(1/2")	20(3/4")	25(1")	32(1 1/4")	40(1 1/2")
$\varnothing A$	13	20	25	32	40
H	1/2"	3/4"	1"	1 1/4"	1 1/2"
$O1(NPT)$	3/8"	1/2"	1/2"	3/4"	1"
S / $\varnothing Q$	M8 / 8	1/4" / 12.8	3/8" / 15.8	1/2" / 21.8	3/4" / 25.8
N	15	17.5	17.5	19	22
M	9.5	11.1	11.1	12.7	12.7
G	112	120	127	146	154
$\varnothing Oh8$	20.7	26	32.5	41.3	47.6
$\varnothing Ph8$	19.6	24.2	30.8	39.6	45
D	11	12	15	16	16
$\varnothing I$	54	64	69	84	87.5
L1	146	167	180	204	220
C	10	10	13.5	14	14
L2 / L3	131 / 130	142 / 140	154 / 153	179 / 177	190 / 188

## DESIGN TYPE J

ND	32(1 1/4")	40(1 1/2")
$\varnothing A$	32	38
H	1 1/4"	1 1/2"
$O1(NPT)$	3/4"	1"
S / $\varnothing Q$	1/2" / 21.8	3/4" / 25.8
N	16	20
M	15	20
G	142	157
$\varnothing Oh8$	45	50
$\varnothing Ph8$	43	48
D	16	16
$\varnothing I$	84	87.5
L1	200	225
C	14	14
L2 / L3	175 / 173	195 / 193