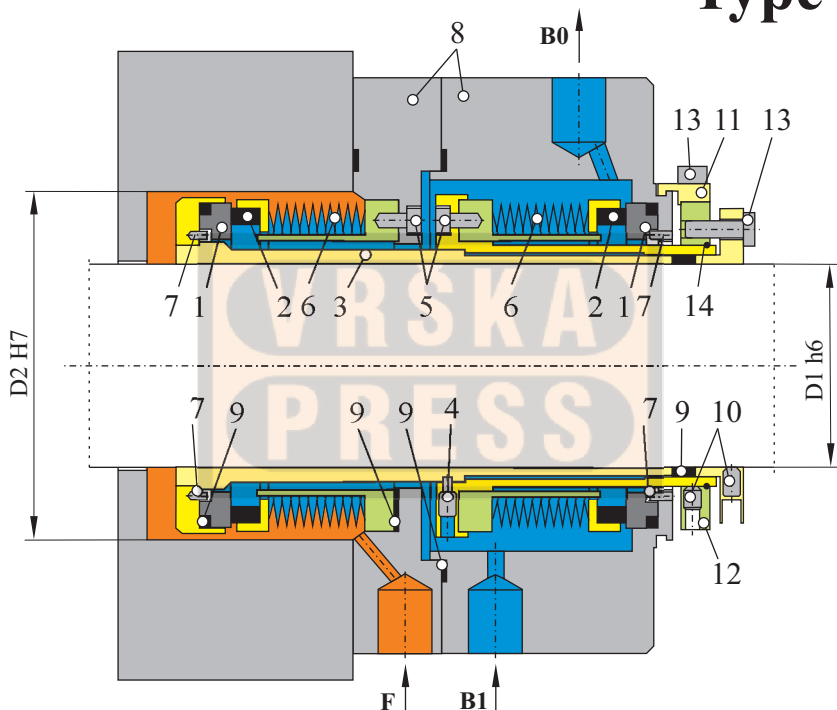


<span style="display:inline-block; width:15px; height:10px; border:1px solid black; background-color:white;"></span>	-Atmospheric pressure
<span style="display:inline-block; width:15px; height:10px; border:1px solid black; background-color:orange;"></span>	-Stuffing box pressure
<span style="display:inline-block; width:15px; height:10px; border:1px solid black; background-color:blue;"></span>	-Coolant pressure

LIMITING FACTORS
D1 = 50...90 mm
p1 = 16 bar
t = 300 °C
Vg = 17 m/s
pV = 255 bar m/s

LIST OF ELEMENTS
1. Stationary seat
2. Rotary seal ring
3. Shaft sleeve
4. Fixing ring
5. Tightening screw
6. Metal bellows
7. Pin
8. Cover plate
9. Secondary seal
10. Fixing screw
11. Assembly fixture
12. Drive collar
13. Tightening screw
14. Spring clip

## Type VN10



LIMITING FACTORS
D1 = 50...90 mm
p1 = 25 bar
t = 425 °C
Vg = 17 m/s
pV = 255 bar m/s

### Working conditions

The VN and VN10 types of mechanical seals are designed for working in extremely hard conditions. They had found they usage in refinery and petrochemical industries where temperature plays an important role. Maximum working temperature for type VN is 350°C, and maximum working temperature for type VN10 is 425°C.

### Design and constructive characteristics

Particular to the mechanical seals with metal bellows, these cartridges are less making heat and abrasion of the shaft. Cartridges of these types are recommended for use at high and low temperatures, they are resistant to corrosion, pressure and temperature. Standard for ANSI and API pumps demand, suitable for environment protection and safety.