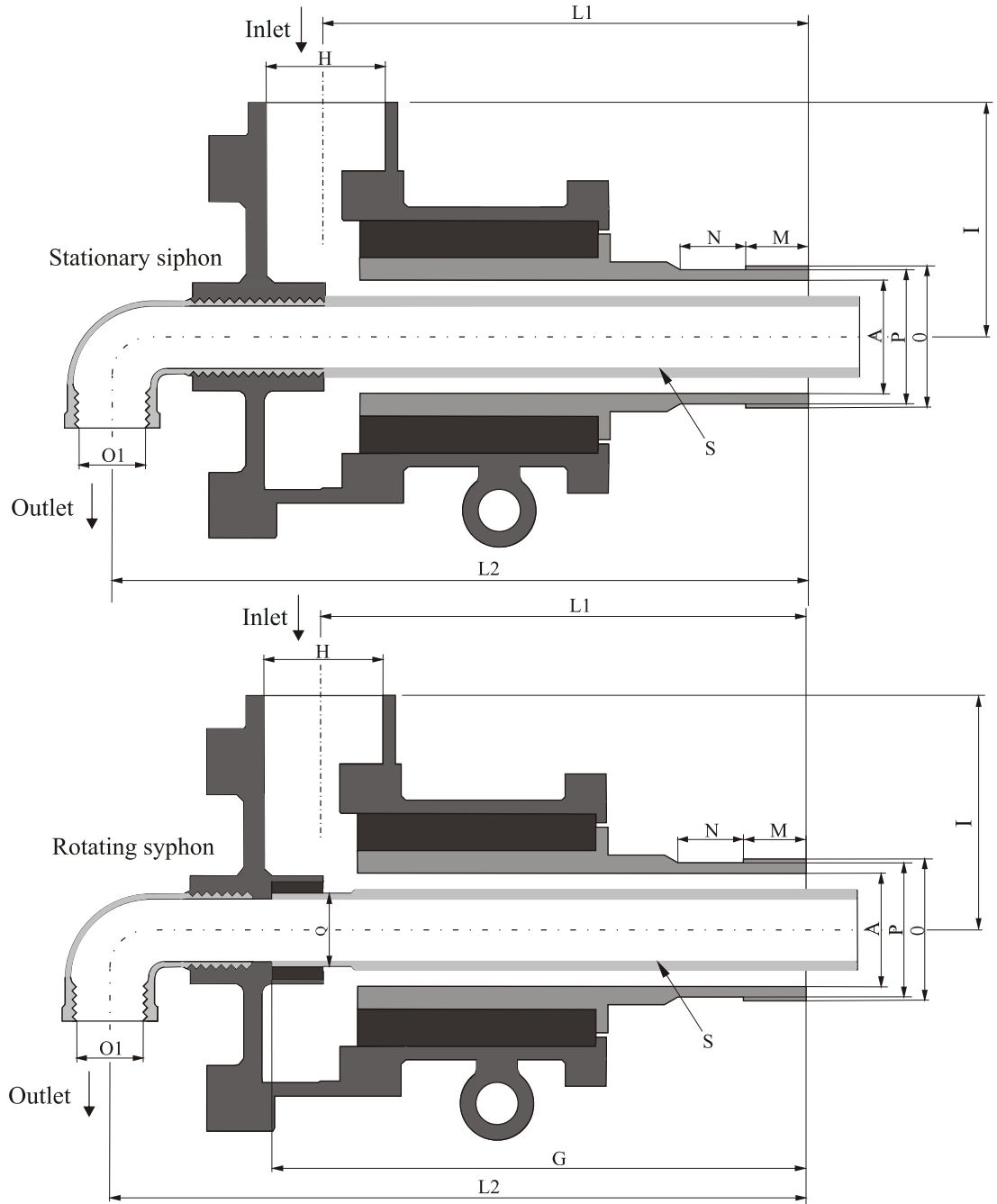




Type XUS
SERIES 15003 Monoflow
14053 Duoflow

Duoflow, Stationary and rotary syphon with K flange connection



ND	Size	ØA	H	O1(NPT)	S	ØQ	L1	L2	N	M	I	ØPh8	ØOh8
40	1 1/2"	38	1 1/4"	3/4"	3/4"	3/4"	163	233	20	12.7	79	47.5	45
50	2"	48	1 1/2"	3/4"-1 1/4"	1/2"-1"	1"	225	305	20	15.9	90	56.6	59.1
65	2 1/2"	62	2"	1"-1 1/4"	3/4"-1 1/4"	1 1/4"	230	325	26	19	100	69	72.2
75	3"	73	2 1/2"	1"-1 1/4"	3/4"-1 1/2"	1"	242	357.3	31	22.2	116	84.1	87.3

Dimensions: H; O1; ØO (B); ØQ (S) can be done according to the customers request