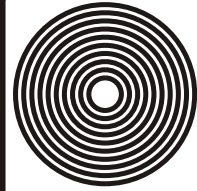
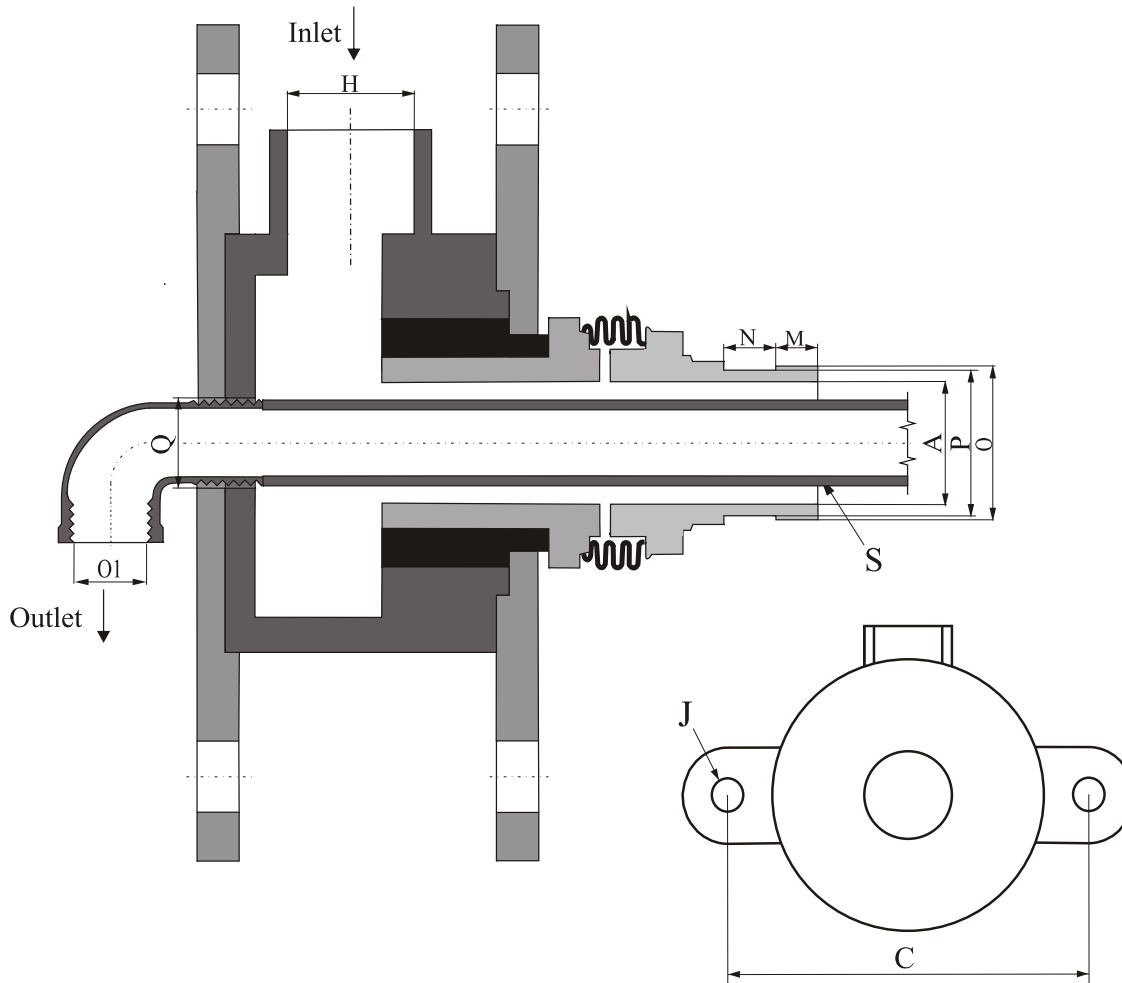


Type XUS  
 SERIES 17003 Monoflow  
 16053 Duoflow



Duoflow with K flange connection



ND	Size	ØA	H	O1(NPT)	S	ØQ	N	M	ØPh8	ØOh8	C	J
40	1½"	38	1 ¼"	¾"	¾"	¾"	20	12.7	47.5	45	206	18
50	2"	48	1 ½"	¾"-1 ¼"	½"-1"	½"-1"	20	15.9	56.6	59.1	197	21
65	2½"	62	2"	1"-1 ¼"	¾"-1 ¼"	¾"-1 ¼"	26	19	69	72.2	210	21
75	3"	73	2 ½"	1"-1 ¼"	¾"-1 ½"	¾"-1 ½"	31	22.2	84.1	87.3	235	27
80	3 ½"	83	3 ½"	1 ¼"-1 ½"	1"-1 ½"	¾"-1 ½"	32	25.4	96.5	100	279	33
100	4"	97	4"	2 ½"	1 ¼"-1 ½"	1 ¼"-2"	35	25.4	110	112.7	308	33
125	5"	122	4"	3"	3"	3"	39	32	137	139.2	400	54
150	6 ½"	142	8"	4"	3"-4"	3"-4"						67
185	8"	184	8"	6"	5"	5"					559	67
250	10"	248	8"	6"	5"	5"						