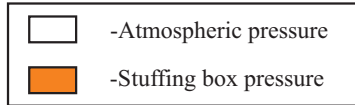
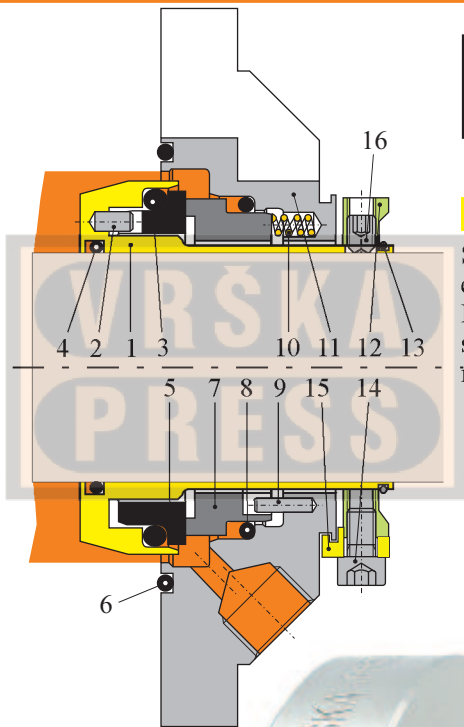


# Type V8VS

Single, Balanced,  
CARTRIDGE mechanical seal



## Working conditions

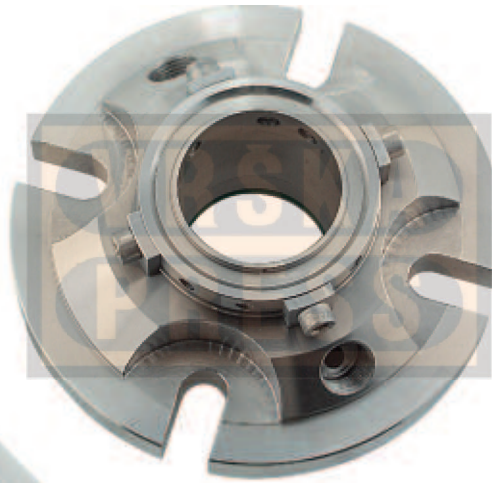
Single, balanced cartridge mechanical seal which easily endures both easy and extremely hard industrial conditions. It is resistant to temperature, high pressures, abrasive, sticky, crystalizing and corrosive media. Temperature range:  $-40^{\circ}$  to  $204^{\circ}\text{C}$ , pressure: up to 25 (40) bar.

## LIMITING FACTORS

$D_1 = 25...110$  mm  
 $p_1 = 25(40)$  bar  
 $t = -40... 204^{\circ}\text{C}$   
 $V_g = 20$  m/s  
 $p_V = 500$  bar m/s

## LIST OF ELEMENTS

1. Shaft sleeve
2. Cylindrical pin
3. O - ring
4. O - ring
5. Seal face
6. O - ring
7. Stationary seat
8. O - ring
9. Cylindrical pin
10. Spring
11. Cover
12. Drive collar
13. Snap ring
14. Socket head typ screw
15. Assembly fixture
16. Threaded pin



## Design and constructive characteristics

Suitable for application at places with a possibility of the mechanical seal axial blocking, due to sticky, abrasive and crystallizing particles influence. As for the design, the spring is fully protected from the fluid influence, the elastomers are always sliding over a clean surface. The heat removal problem is solved by the mechanical seal being balanced, which enables its reliable work and long life in extreme industrial conditions. It is the cartridge design that enables simple and efficient mounting.

